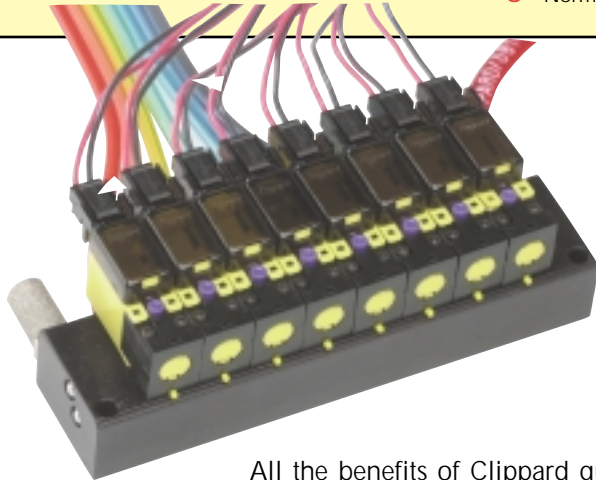
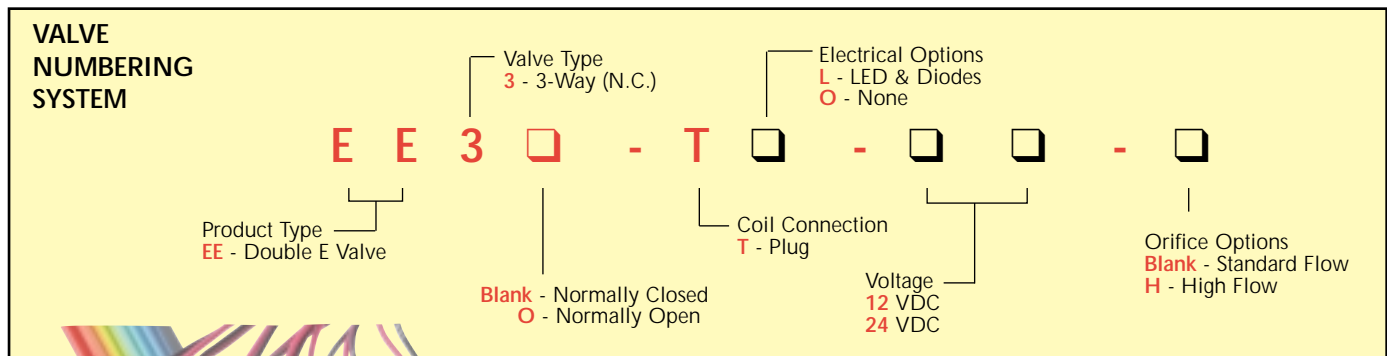




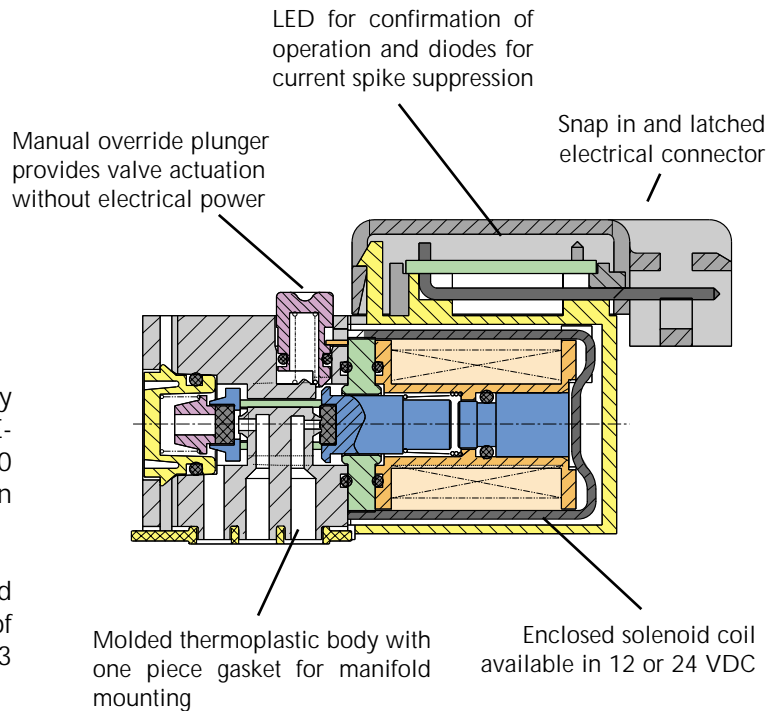
EE3 SERIES SUB-MINIATURE VALVES



All the benefits of Clippard quality and reliability are available in our Double E-3 normally closed 3-way valve, an American made 10 mm subminiature electronic valve. A normally open model is also available.

The Double E-3 has a high strength, lightweight engineered thermoplastic body, making it suitable for a wide range of applications. Since it has few moving parts, the Double E-3 is subject to less wear, and has a longer life.

Double E-3 Valves are available factory assembled on manifolds



Features

- Made in USA
- Miniature size
- 12 and 24 VDC
- Direct acting
- Fast response
- Few moving parts
- High flow/low power
- Made of high strength engineered thermoplastic
- Manifold mount
- LED for confirmation of operation
- Spike suppression diodes
- High visibility manual override
- Universal orientation
- Enclosed integral electronics
- One-piece gasket eases installation
- Short stroke, low mass poppet
- Corrosion resistant molded body
- Electrical plug snaps in - clip latched